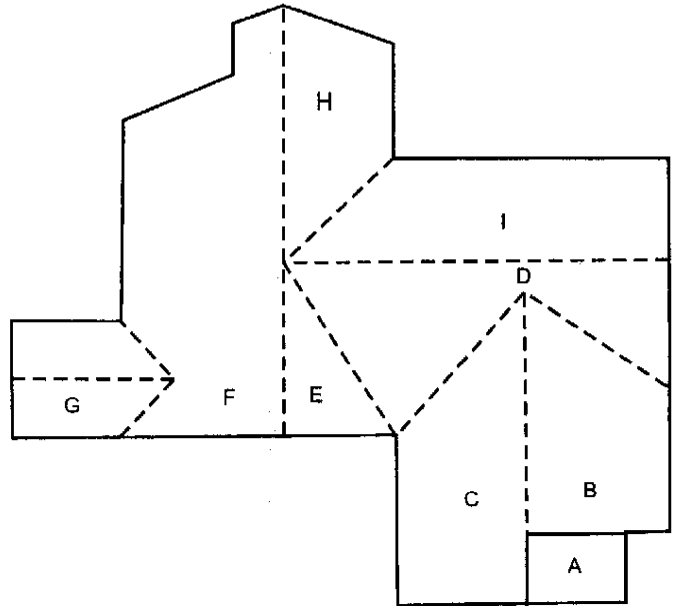


MEASURING YOUR HOME FOR METAL

NAME _____ ADDRESS _____ PHONE # _____

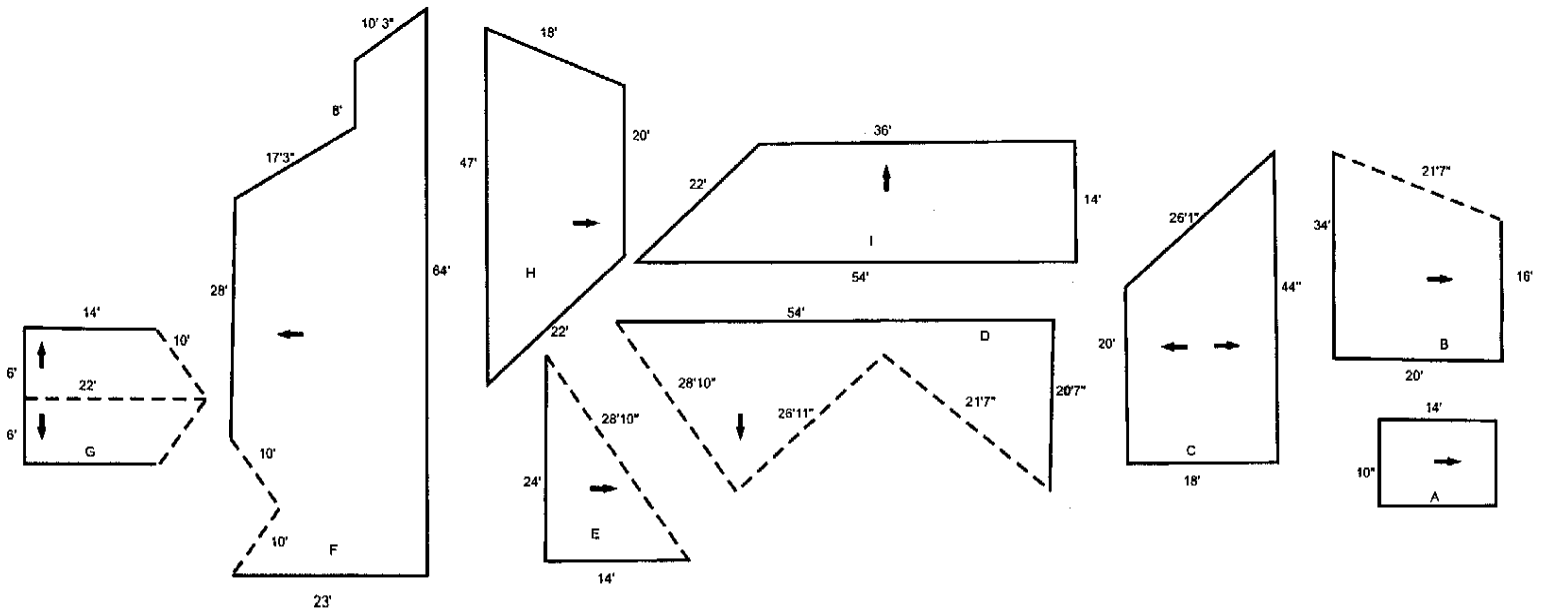
STEP #1

Draw a birdseye view of house.
Label each section A, B, C, D, etc.



STEP #2

Draw diagram of each section of roof and show all measurements.
Measure from exact center of ridge to gutter allowing nothing for overhang.



OTHER INFORMATION NEEDED

Pitch of roof, skylights, (size and where located),
fireplace or chimney, (size and where located),
size and number of pipe penetrations.

IDENTIFY

Valleys, ridges, hips, gables, etc.

RIDGELINE
METAL
INC.
MANUFACTURERS OF METAL ROOFING, SIDING AND ACCESSORIES

1305 S.W. Lake Road / Redmond, Oregon 97756
(541) 548-7044 FAX (541) 548-7440